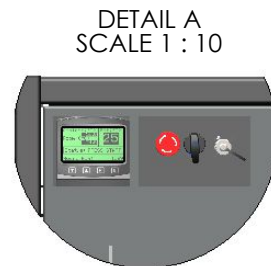
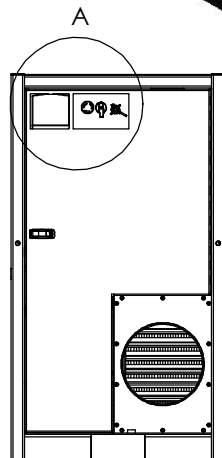
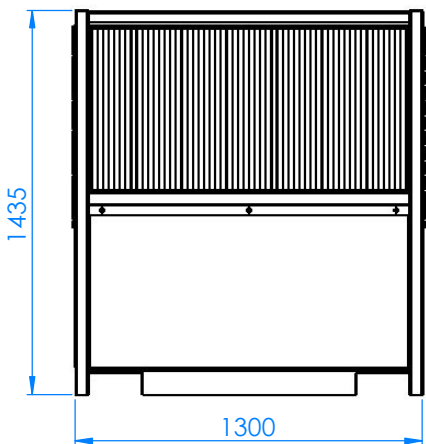
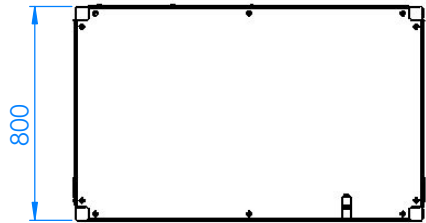


elececx

elececxair

Elececx Ltd, Unit 9, Almond Road, Middlefield Industrial Estate
 FK2 9FQ, United Kingdom
 +44 (0) 1324 27 24 22
 info@elececx.com
 www.elececx.com
 www.elececxair.com



Technical Data	
General	
Weight	700kg
Hazardous Area	
Approvals	ATEX, IECEx
ATEX Certificate Number	CML 16ATEX6153X
IECEx Certificate Number	IECEx CML 16.0069X
Ex Marking	Ex db eb h ia [ia IIC] mb pxb IIB T4/T3 Gb
Zones of use	Zones 1 & 2
Ambient Temperature Range	-20°C to +50°C
Electrical	
Power Supply	400VAC @ 50Hz, 460VAC @ 60Hz
Power Supply Connection	32A/63A 3P + E, 32A/63A 3P + N + E
Power Supply Cable	15m of UKOOA WB416 grade cable
Max Power Consumption	18kW
Air Handling	
Refrigeration Power	8-25kW
Refrigeration Control	Thermostatic Control or Maximum Running
Thermostatic Control Accuracy	Set in 1 °C increments
Conditioned Air Flow Rate	0.35m ³ /s
Maximum External Static Pressure Overcome	250Pa
Conditioned Air Filtration	G4 Particulate Filter
Waste Heat Air Filtration	Sand/Dust Filter